

PD43



FEATURES 特点

- * Excellent solderability and high heat resistance
良好的可焊性和高耐热性

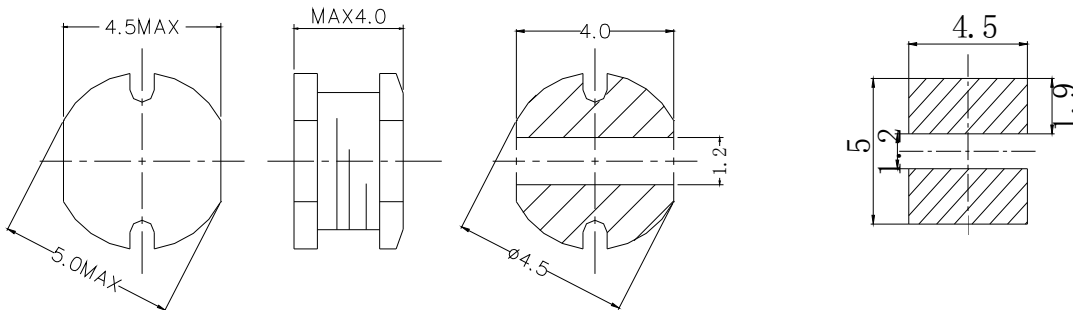
APPLICATION 用途

- * DC / DC 转换器

MEASURING FREQUENCY 测试频率

- * 100KHz 0.3V

Shapes And Dimensions 外形及尺寸示意图



Electrical Characteristics 电气性能

Type 型号	Indicate 表示	Inductance 电感值	D.C.R(Max) 直流电阻(m Ω)	Rated Current(Max) 额定电流(A)
PD43-1R0	1R0	1.0 μ H \pm 20%	48.7m	2.56
PD43-1R4	1R4	1.4 μ H \pm 20%	56.2m	2.52
PD43-1R8	1R8	1.8 μ H \pm 20%	63.7m	1.95
PD43-2R2	2R2	2.2 μ H \pm 20%	71.2m	1.75
PD43-2R7	2R7	2.7 μ H \pm 20%	78.7m	1.58
PD43-3R3	3R3	3.3 μ H \pm 20%	86.2m	1.44
PD43-3R9	3R9	3.9 μ H \pm 20%	93.7m	1.33
PD43-4R7	4R7	4.7 μ H \pm 20%	108.7m	1.15
PD43-5R6	5R6	5.6 μ H \pm 20%	125.7m	0.99
PD43-6R8	6R8	6.8 μ H \pm 20%	131.2m	0.95
PD43-8R2	8R2	8.2 μ H \pm 20%	146.2m	0.84
PD43-100	100	10 μ H \pm 20%	0.172	0.82
PD43-120	120	12 μ H \pm 20%	0.198	0.80
PD43-150	150	15 μ H \pm 20%	0.222	0.78
PD43-180	180	18 μ H \pm 20%	0.32	0.74
PD43-220	220	22 μ H \pm 20%	0.357	0.68
PD43-270	270	27 μ H \pm 20%	0.494	0.62
PD43-330	330	33 μ H \pm 20%	0.51	0.56
PD43-390	390	39 μ H \pm 20%	0.555	0.52
PD43-470	470	47 μ H \pm 20%	0.798	0.44
PD43-560	560	56 μ H \pm 20%	0.886	0.42
PD43-102	102	1000 μ H \pm 20%	3.80	0.16

* SPQ:2000PCS/REEL

The sample parameters are based on actual measured values